



CYCLONE FIELD CUTTER

Bridging the gap between
batwing and flail mowers.



www.major-usa.com

Cyclone Field Cutter

Heavy duty mulcher and shredder

The MAJOR Cyclone Field Cutter has been designed to do the work of a flail mower with reduced power consumption, outperforming equivalent-sized flail mowers in every way.

Durability, reliability and efficiency are the key elements of this award-winning machine. These machines are ideal for every day **grassland management** and the **shredding** of crop stubble including corn, cotton, wheat, rice, milo stalks and cover crops.

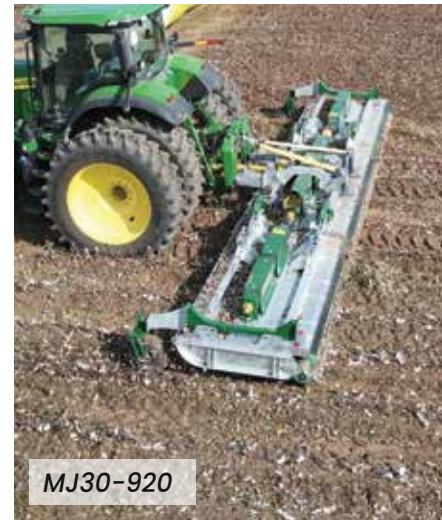
The MAJOR Cyclone Field Cutter is also ideal for **orchard maintenance** to assist in disease control and maximise yield potential. The unique blade system delivers a fine mulch and even distribution of mulched material. This speeds up the decomposition process and puts **nutrients** and moisture back into the soil.

Each cutting head system has four blades per rotor for powerful mulching. It requires 50% less HP than a flail mower, slashing at least 50% off upfront fuel costs. The stump jumper has a bearing system that allows it to spin to reduce stress on the gearbox if grounded in the dirt. The MAJOR Cyclone is manufactured using Strenx® 700 MC high-strength steel and hot dipped galvanised making it impact tough!



Scan the QR code with your phone to see product videos!

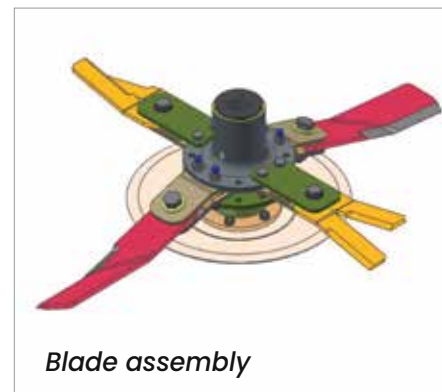
MODEL	MJ31-280	MJ31-560	MJ30-920
Overall width	10'	19'	31'
Cutting width	9' 2"	18' 4"	30'
Transport width	10'	6' 7"	13' 9"
Power (HP)	80-120	100-150	180-250
PTO (rpm)	540	1,000	1,000
Cutting height	2" to 6¾"	2" to 6¾"	1 ½" to 7"
No. of Rotors	4	6	10
No. of Blades	16	24	40
Weight	2,083 lbs.	5,026 lbs.	6,834 lbs.
Blade speed	11,400 FPM	13,700 FPM	13,700 FPM



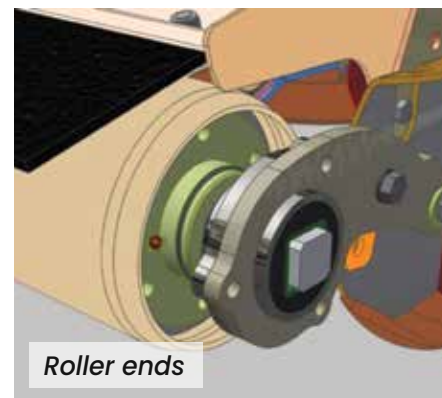
MJ30-920



MJ30-920



Blade assembly



Roller ends



“I can cover 20% more acreage in a day with one less tractor and driver!”

Sam Stanley, Cotton Farmer,
Hockley County, Texas



SAM'S STORY

- ✓ Impressive forward speeds
- ✓ No windrowing like batwing rotary mowers
- ✓ Requires 50% less HP input than a flail mower
- ✓ Even distribution of cut material
- ✓ Multi-purpose; designed for medium brush and stubble management



FEATURES

Produced from Strenx® 700, a material 2½ times stronger than standard steels used in agricultural machinery production.

Unique heavy duty blade system for maximum mulching and shredding.

Gear drive system with no belts or pulleys. Rubber couplings between the gearboxes absorb shocks and protect the driveline.

Low maintenance machine with less wearing parts than a flail mower.

Heavy duty rollers on each deck.

High density rubber inserts are fitted on the roller ends to deliver suspension and vibration reduction.

Hardox® 450 undersole discs.

Adjustable implement wheel on each wing of the MJ30-920 model, to reduce wing stress.



MJ31-280



Distributor - Western USA
ELLIS EQUIPMENT CO, Wellsville UT
800-949-2336 www.ellisequipment.com



Visit website



Dealer:

Head Office

Major Equipment Intl Ltd
Ballyhaunis, Co. Mayo,
F35 C891, Ireland
Tel: + 353 (0) 9496 30572
info@major-usa.com

MAJOR. Quality, resilience, and pride

Manufacturers of tractor-powered shredders and cutters since 1976. Every MAJOR product stands for the quality, resilience and pride that reflects its agricultural roots. The family-owned and operated business is based in the West of Ireland, a country renowned for engineering excellence.

@majorequipmentusa



www.major-usa.com